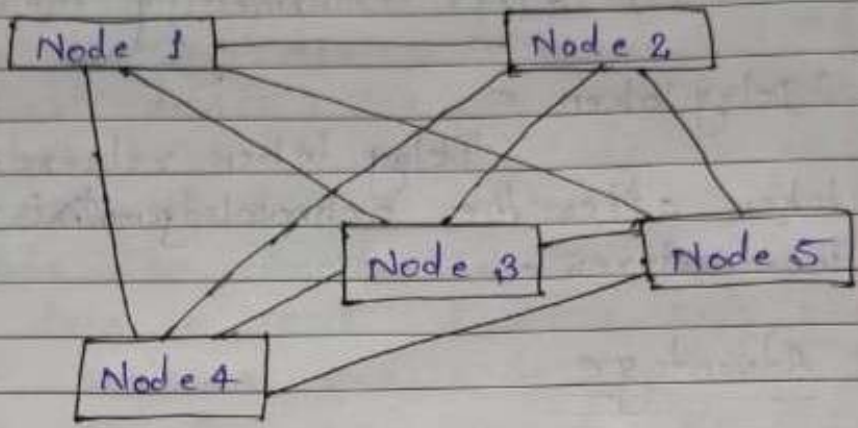


iii) Mesh Topology :-



In this topology each device is connected to every other device on the network through a dedicated point to point link. here the term dedicated means there is direct line between these two nodes which carry data for them only. In other words we can say to join n^{th} device in the network $(n-1)$ ports will be needed. this way we can say there is hot line connection between two devices.

Suppose there are n number of device in a mesh topology. then total number of connections will be equal to nC_2 i.e. $\frac{n(n-1)}{2}$.

Advantage

- a.) It is very robust topology as there is no problem of congestion in traffic

- b.) It is very secure and private network.
- c.) It is very reliable as no other node can disturb the communication.
- d.) Fault detection is easy

Disadvantage

- a.) This is a complicated network as each node is connected with every other node in the network hence a lot of wires are required.
- b.) There is direct connection between any two nodes in the network hence number of ports also required in large number.
- c.) Installation and configuration is difficult
- d.) Cost of maintenance is also high.